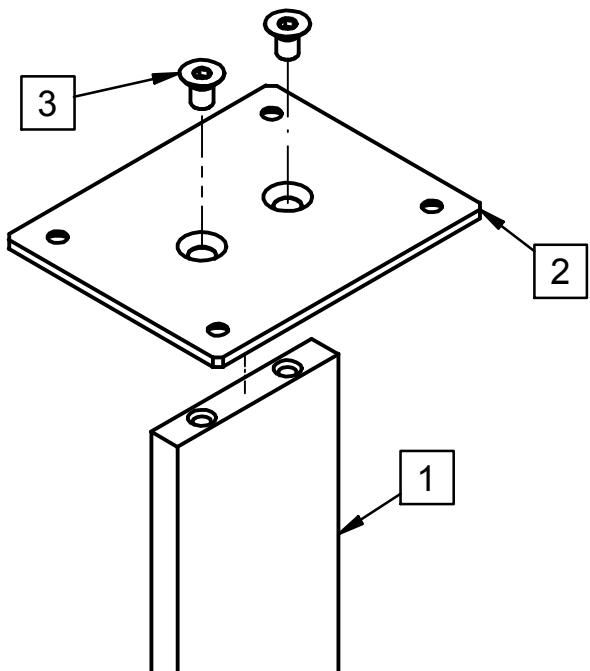
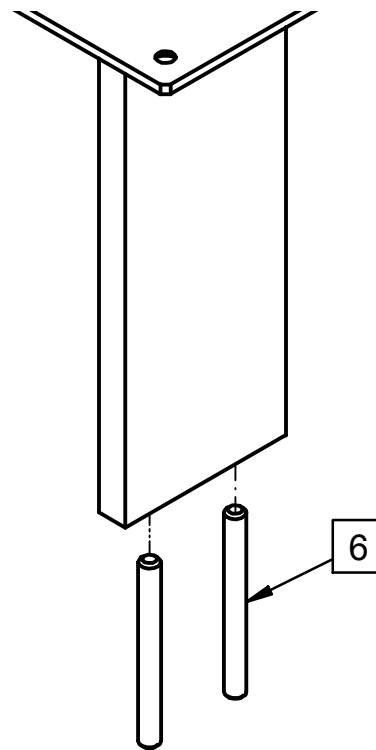


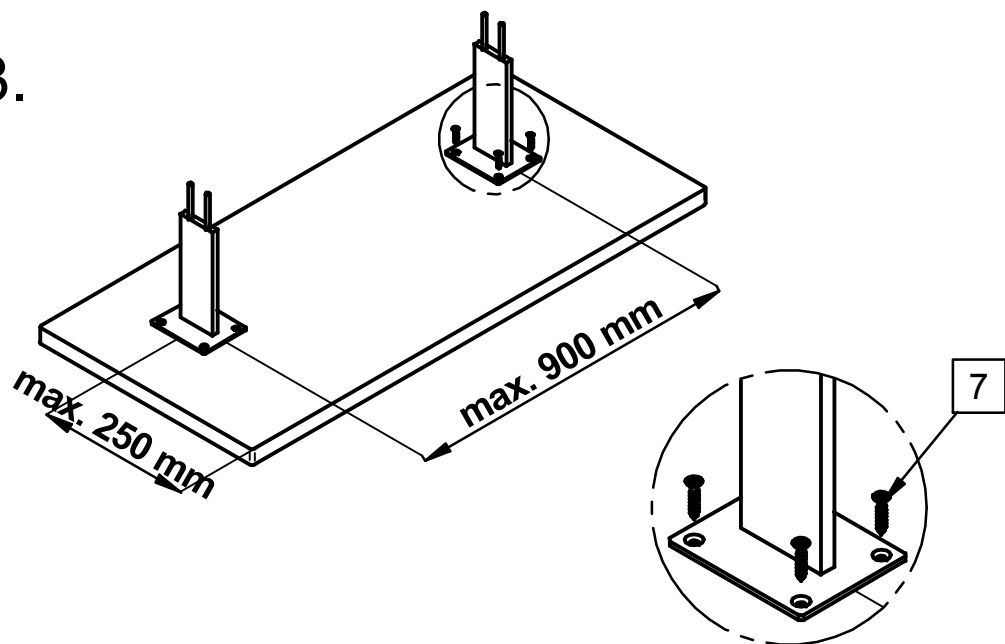
1.



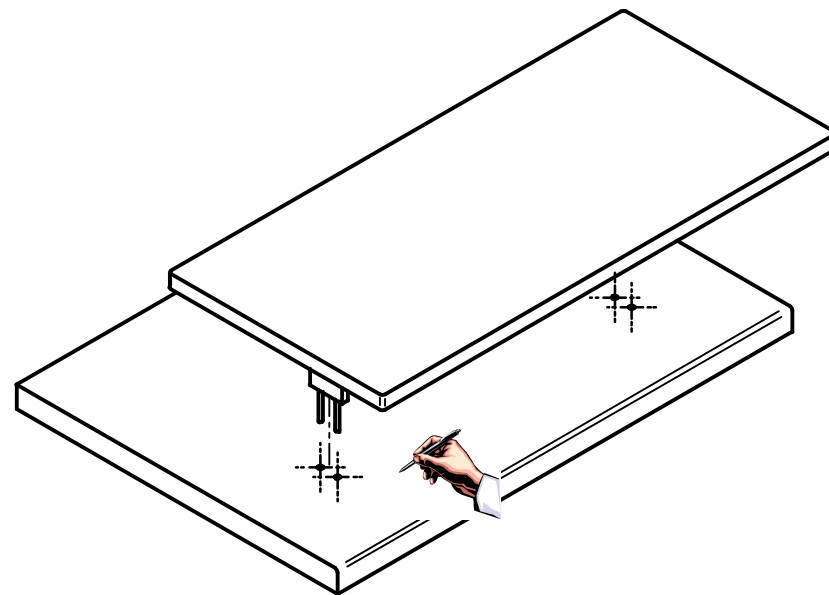
2.



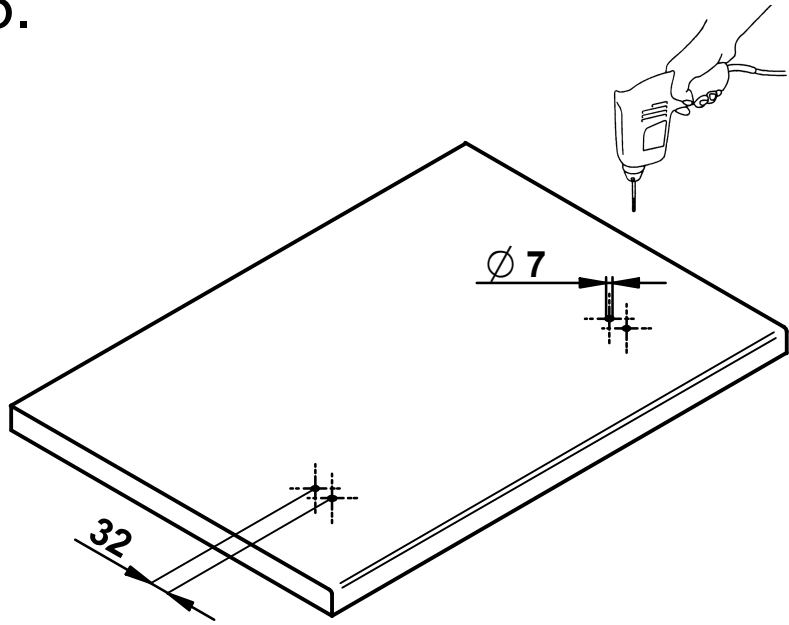
3.



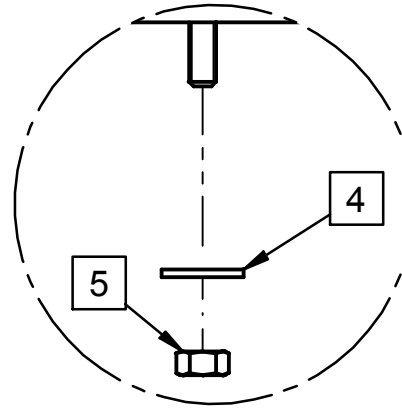
4.



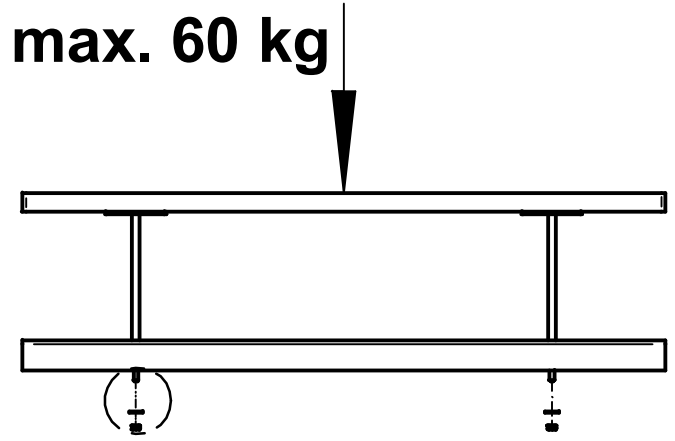
5.



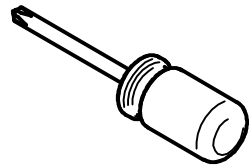
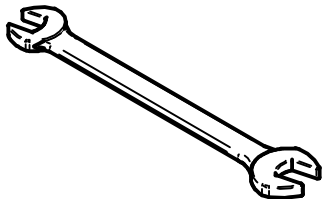
6.



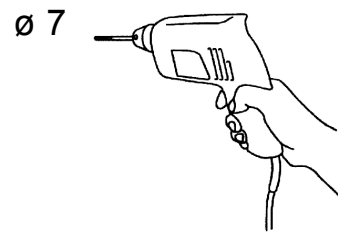
max. 60 kg



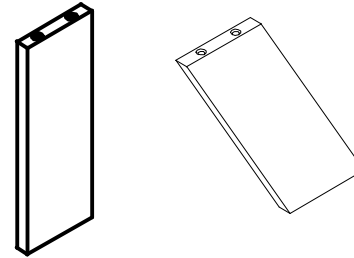
SW 10



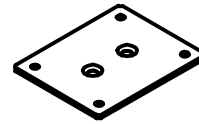
SW 4



1 1 x



2 1 x



3 2 x



M6 x 10 mm

4 2 x



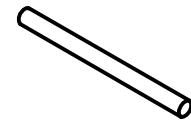
$\varnothing 6,4$ mm

5 2 x



M6

6 2 x

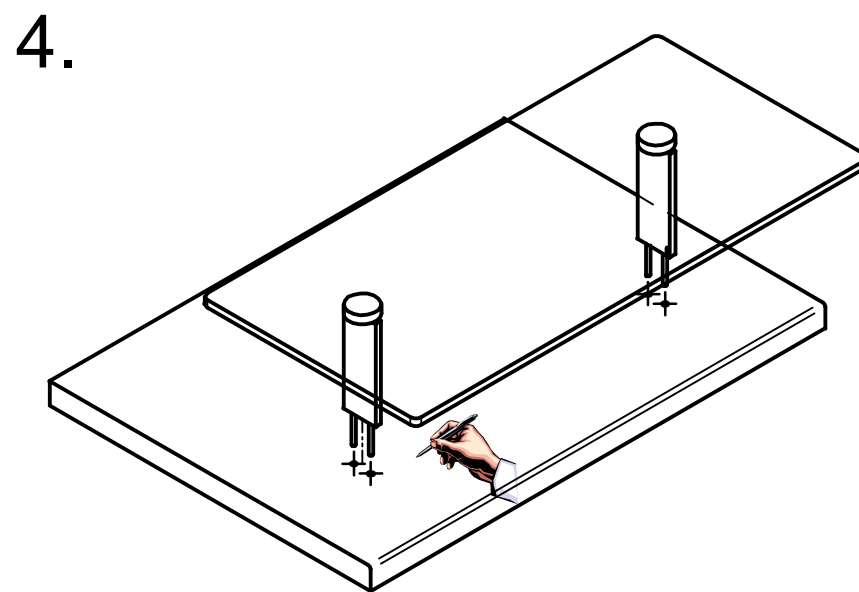
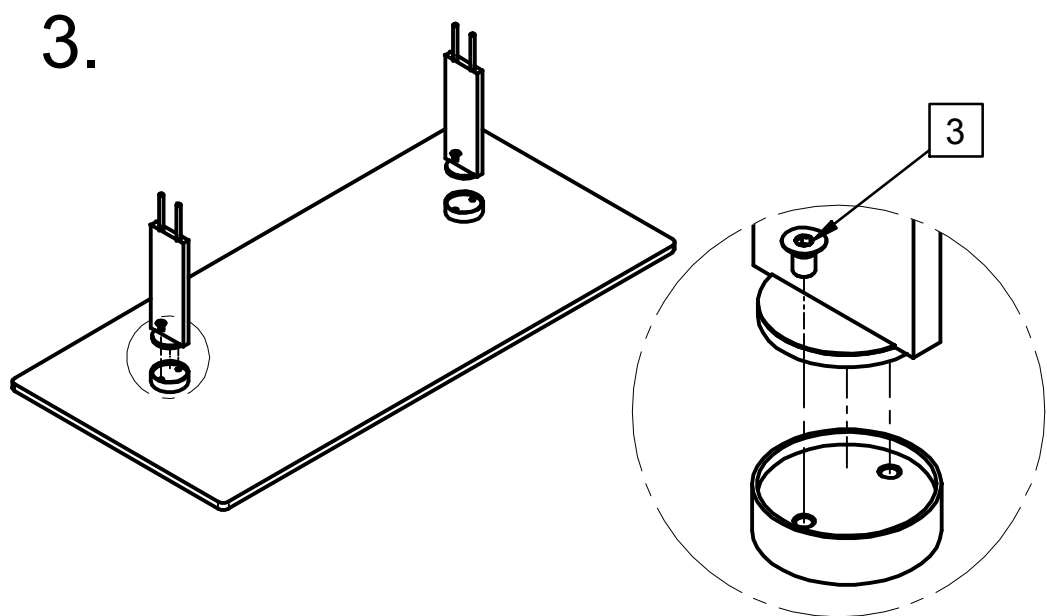
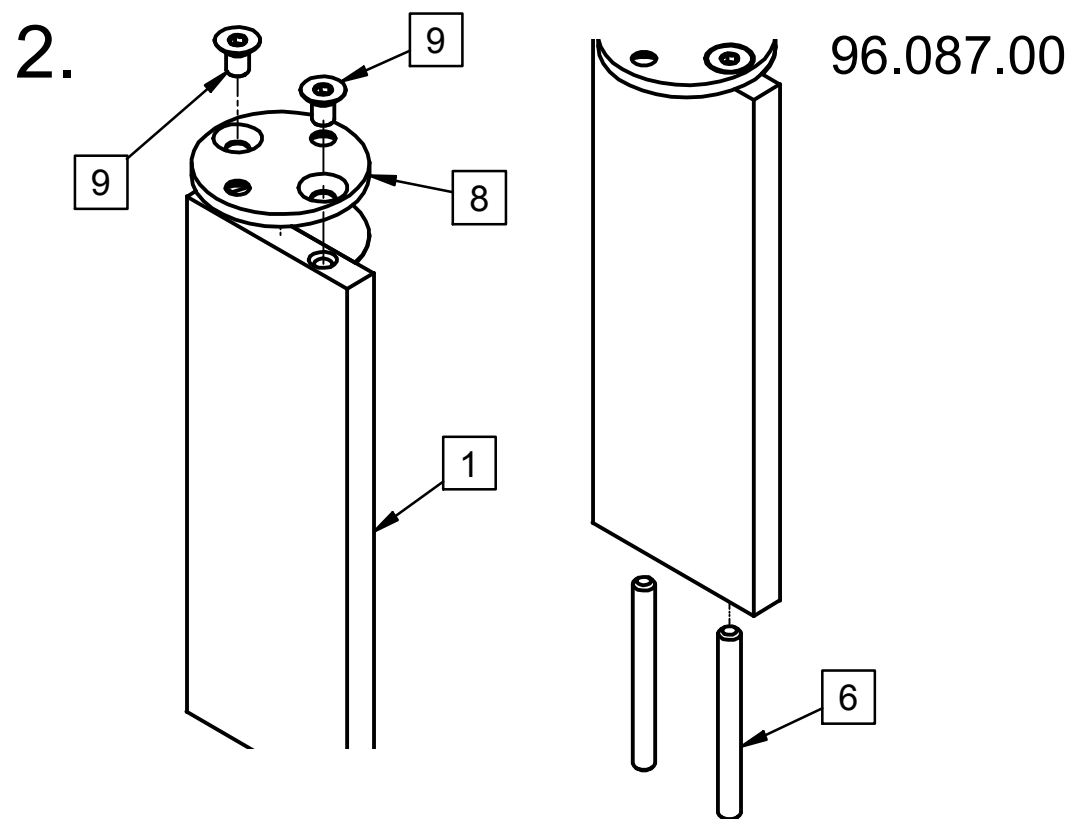
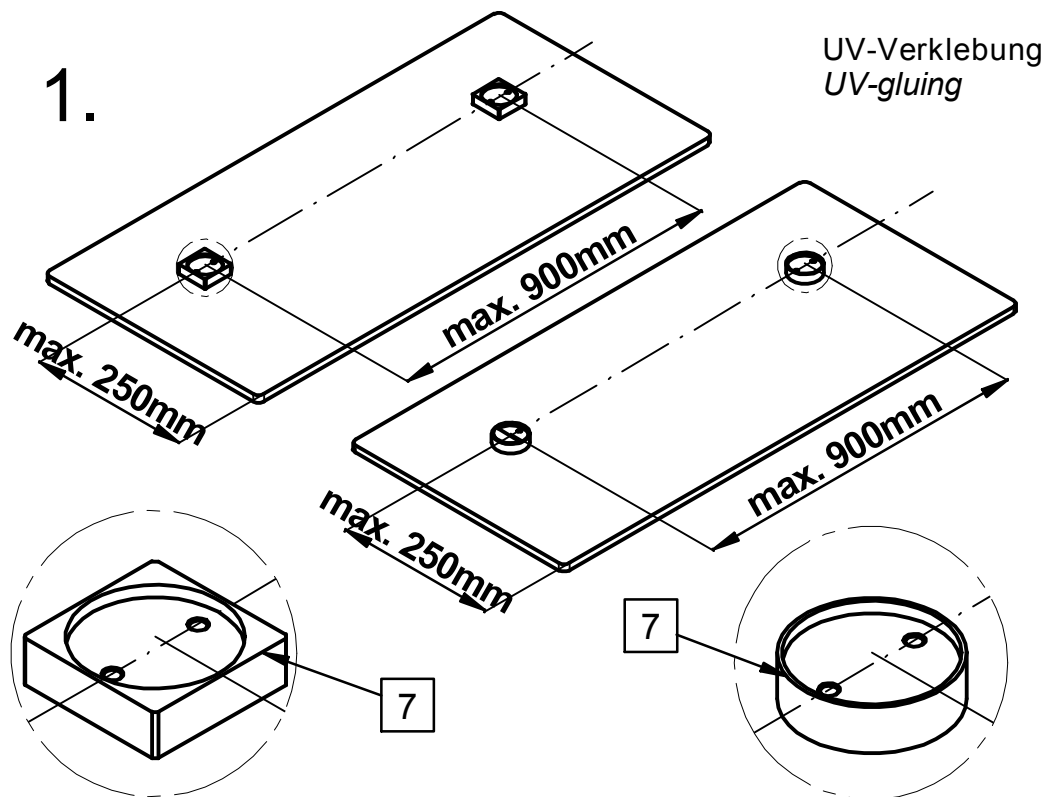


M6 x 60 mm

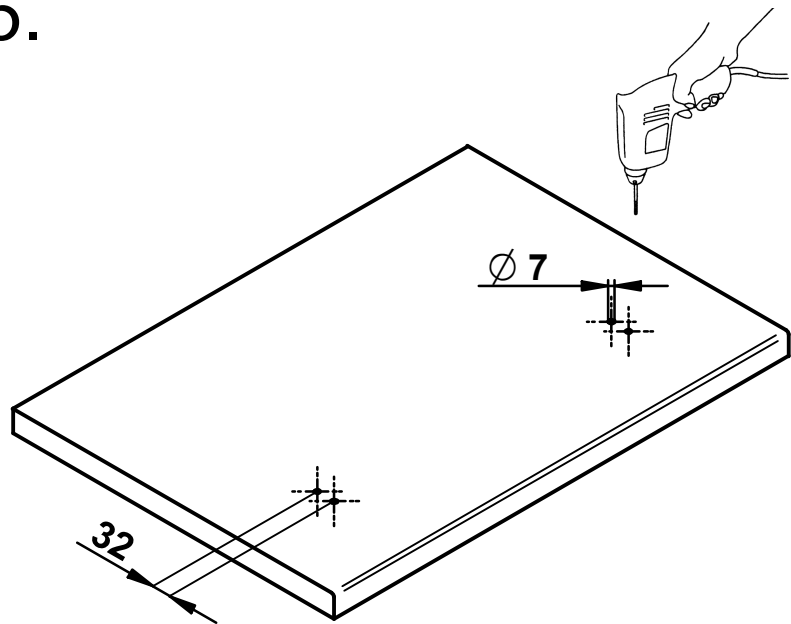
7 4 x



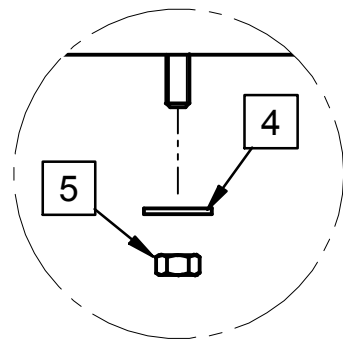
$\varnothing 5$ x 16 mm



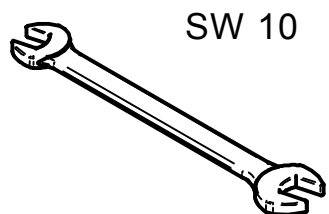
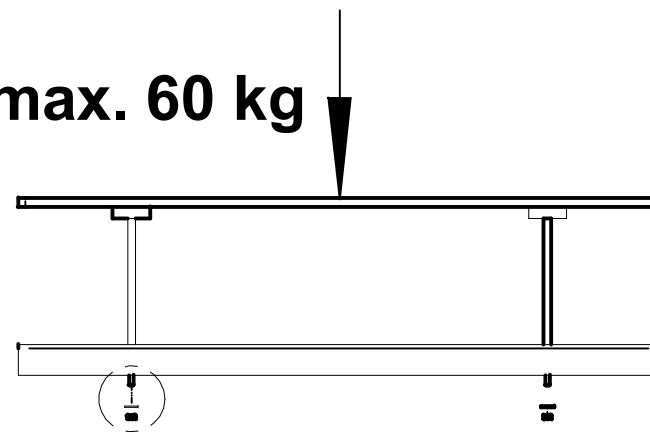
5.



6.



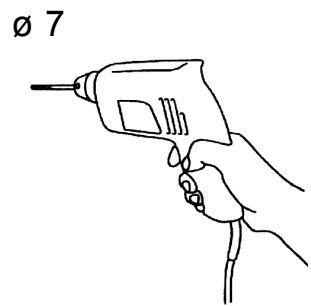
max. 60 kg



SW 10



SW 4



Ø 7



7 1 x

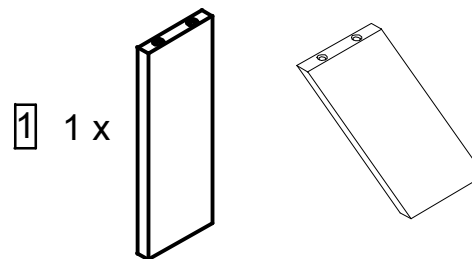


8 1 x

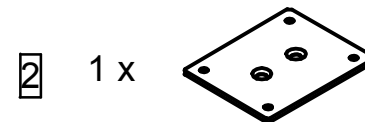


9 2 x

M6 x 10 mm



1 1 x



2 1 x



3 2 x

M6 x 10 mm



4 2 x

Ø 6,4 mm



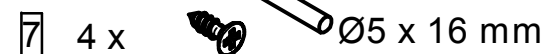
5 2 x

M6



6 2 x

M6 x 60 mm



7 4 x

Ø5 x 16 mm